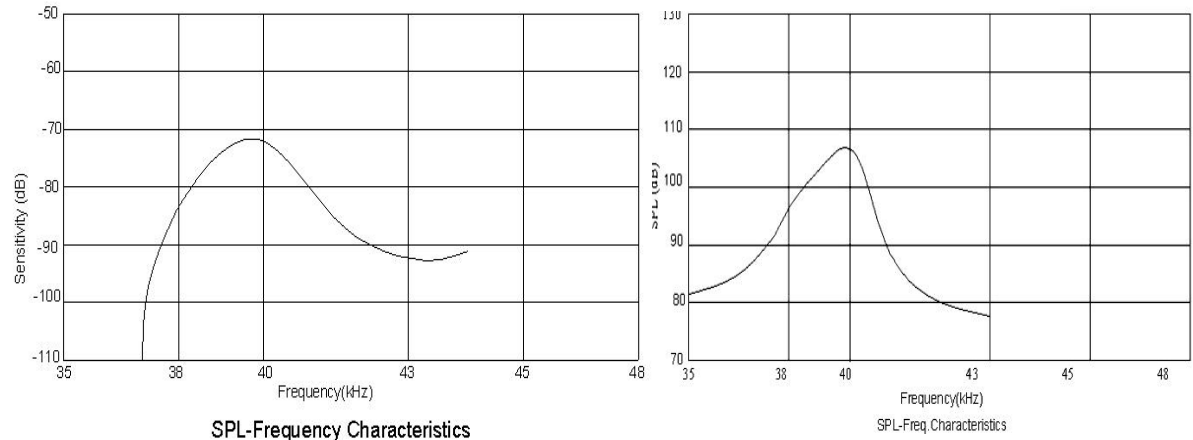
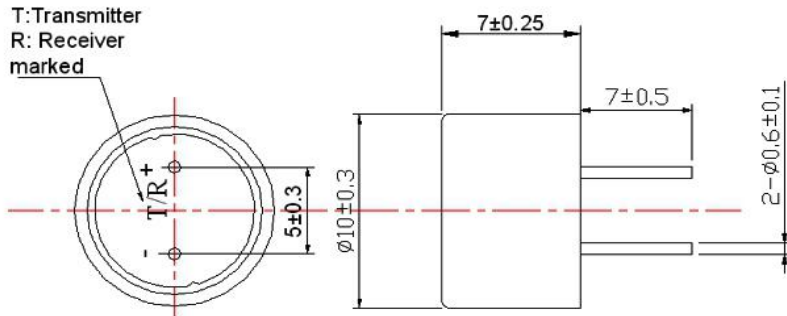
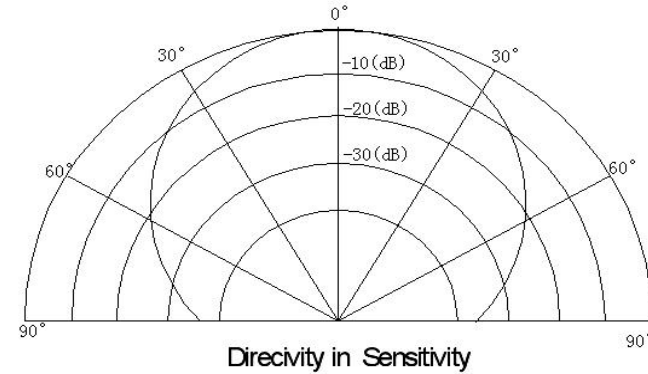



SPECIFICATION		
1	Model No.	EUS10T-40TR-WA
2	Construction	Open
3	Using method	Transmitter or Receiver
4	Nominal Frequency(HZ)	40K
5	Sensitivity (dB)	≥-75dBV/μMbar
6	S P L(dB)	≥ 105 (10V/30cm/sine wave)
7	Directivity	80deg
8	Capacitance(pF)	2200±25%@1KHz
9	Detectable range(M)	0.2....6
10	Operating Temperature(°C)	-20....+80
11	Housing material	Aluminum
12	Weight(g)	1

THIS DOCUMENT CONTAINS DATE
 PROPRIETARY TO PROJECTS CHANGZHOU ESUNTECH
 CO LTD. ANY USE OR REPRODUCTION, IN ANY FORM,
 WITHOUT PRIOR WRITTEN PERMISSION OF
 PROJECTS CHANGZHOU ESUNTECH CO LTD
 IS PROHIBITED.
 ©2003, Project Changzhou Esuntech Co Ltd

REVISION HISTORY			
LTR	DESCRIPTION	DATE	APPROVED
-	RELEASED FROM ENGINEERING	9/23/2003	Y M
A			
B			
C			



NOTES:
 1. ALL DIMENSIONS ARE IN MILLIMETERS
 2. SPECIFICATIONS SUBJECT TO CHANGE WITHOUT NOTICE

SIZE	Designed by	Date	Checked by	Date	Approved by	Date	Drawed date
A4	 Changzhou Esuntech Co.,Ltd http://www.esuntech.com.cn		EUS10T-40TR-WA		Ultrasonic Sensor	Edition	Sheet