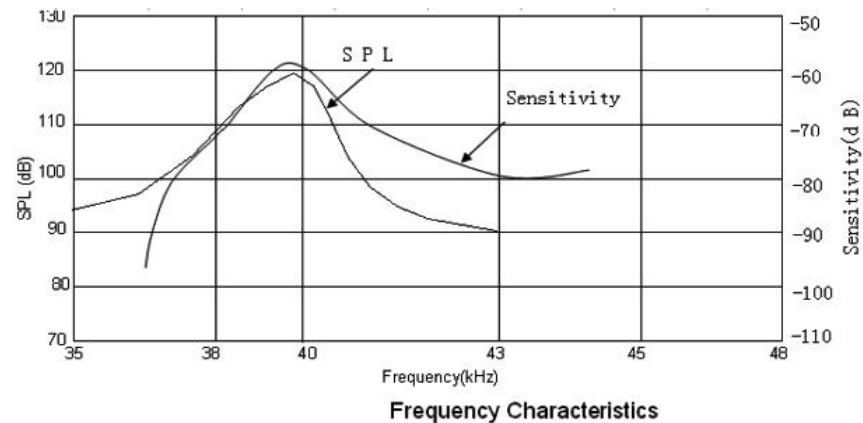
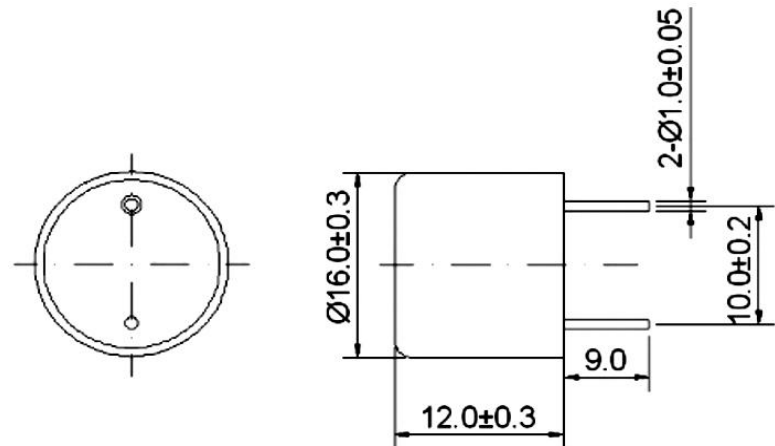
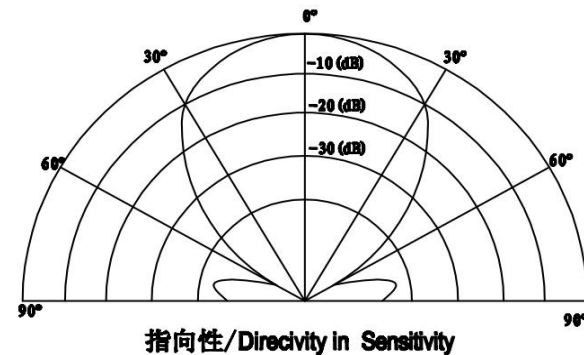


| SPECIFICATION | | |
|---------------|----------------------|--------------------------|
| 1 | Model No. | EUS16T-40TR-WA |
| 2 | Construction | Open |
| 3 | Using method | Transmitter or receiver |
| 4 | Normimal Frequency | 40kHz |
| 5 | SPL | ≥68V/u Mbar |
| 6 | Sensitivity | ≥115(10V/30cm/sine wave) |
| 7 | Directivity | 80deg |
| 8 | Capacitance | 2400±25%@1KHz |
| 9 | Detectable Range | 18 |
| 10 | Housing material | AL |
| 11 | Operating Temp.range | -20...+70 |
| 12 | Weight(g) | 3 |


THIS DOCUMENT CONTAINS DATE
 PROPRIETARY TO PROJECTS CHANGZHOU ESUNTECH
 CO LTD. ANY USE OR REPRODUCTION,IN ANY FORM,
 WITHOUT PRIOR WRITTEN PERMISSION OF
 PROJECTS CHANGZHOU ESUNTECH CO LTD
 IS PROHIBITED.
 ©2003,Project Changzhou Esuntech Co Ltd



| REVISION HISTORY | | | |
|------------------|---------------------------|-----------|----------|
| LTR | DESCRIPTION | DATE | APPROVED |
| - | RELEASED FROM ENGINEERING | 9/23/2003 | Y M |
| A | | | |
| B | | | |
| C | | | |



NOTES:
 1.ALL DIMENSIONS ARE IN MILLIMETERS
 2.SPECIFICATIONS SUBJECT TO CHANGE
 WITHOUT NOTICE

| SIZE | Designed by | Date | Checked by | Date | Approved by | Date | Drawed date |
|------|-------------------|--|------------|------|----------------|-------|-------------|
| | A4 |  Changzhou Esuntech Co.,Ltd http://www.esuntech.com.cn | | | EUS16T-40TR-WA | | |
| | Ultrasonic Sensor | | | | Edition | Sheet | |