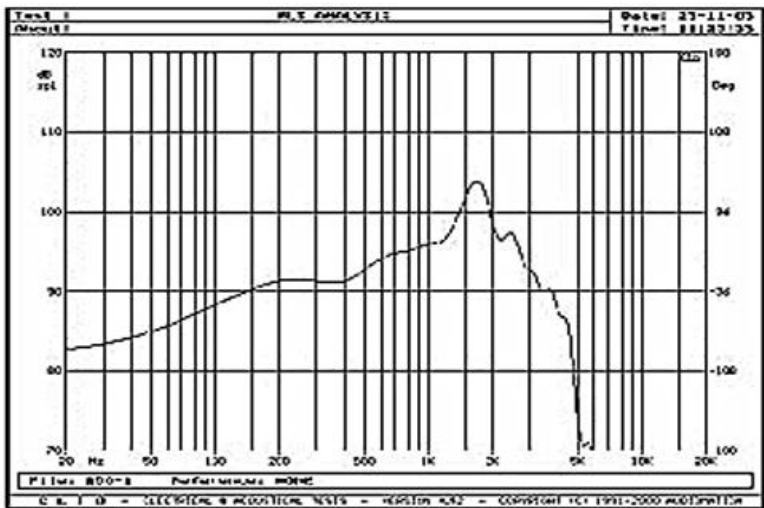
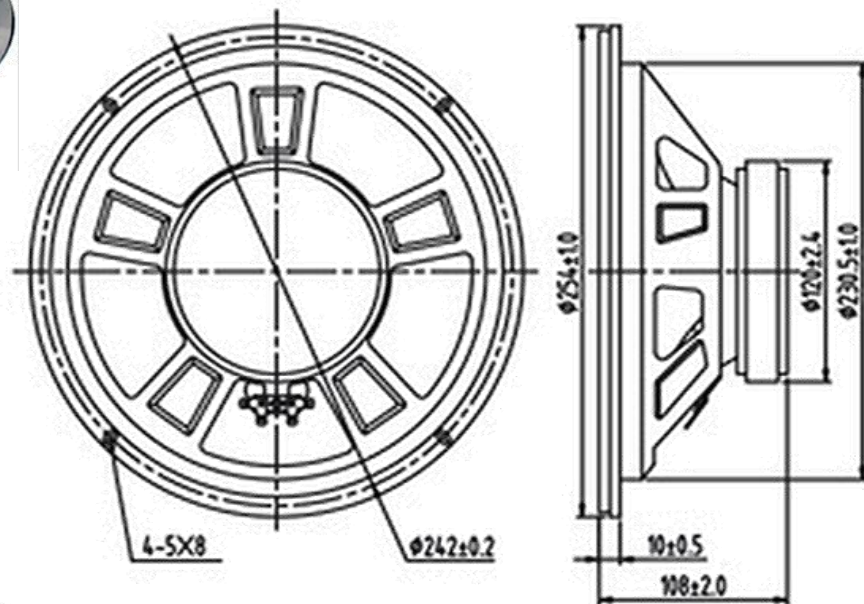


SPECIFICATION		
1	Model No.	YD250-01-6.5F100U
2	Diameter:	Φ254mm
3	Cone Material:	Paper
4	Edge:	Foam
5	Nominal Power:	30w
6	Maximum Power:	100w
7	Impedance:	6.5±15%Ω
8	Voice coil:	Φ30.5mm
9	Fo:	35Φ20%Hz
10	Response:	Fo-1kHz
11	S.P.L.:	92±3dB/W/0.5M
12	Magnet Size:	Φ100*60*20(Ferrite)
13	Net weight:	1260g

THIS DOCUMENT CONTAINS DATE
 PROPRIETARY TO PROJECTS CHANGZHOU ESUNTECH
 CO LTD. ANY USE OR REPRODUCTION, IN ANY FORM,
 WITHOUT PRIOR WRITTEN PERMISSION OF
 PROJECTS CHANGZHOU ESUNTECH CO LTD
 IS PROHIBITED.
 ©2003, Project Changzhou Esuntech Co Ltd

REVISION HISTORY			
LTR	DESCRIPTION	DATE	APPROVED
-	RELEASED FROM ENGINEERING	9/23/2003	Y M
A			
B			
C			



NOTES:
 1. ALL DIMENSIONS ARE IN MILLIMETERS
 2. SPECIFICATIONS SUBJECT TO CHANGE
 WITHOUT NOTICE

UNLESS OTHERWISE SPECIFIED. DIMENSIONS ARE IN MILLIMETERS TOLERANCES ARE +/-0.5 AND ANGLES ARE +/-3°	SIZE	Designed by	Date	Checked by	Date	Approved by	Date	Drawed date
	A4	 Changzhou Esuntech Co.,Ltd http://www.esuntech.com.cn		YD250-01-6.5F100U			Sheet	
YD45-01-8F32P-R	Loudspeaker			Edition	Sheet			