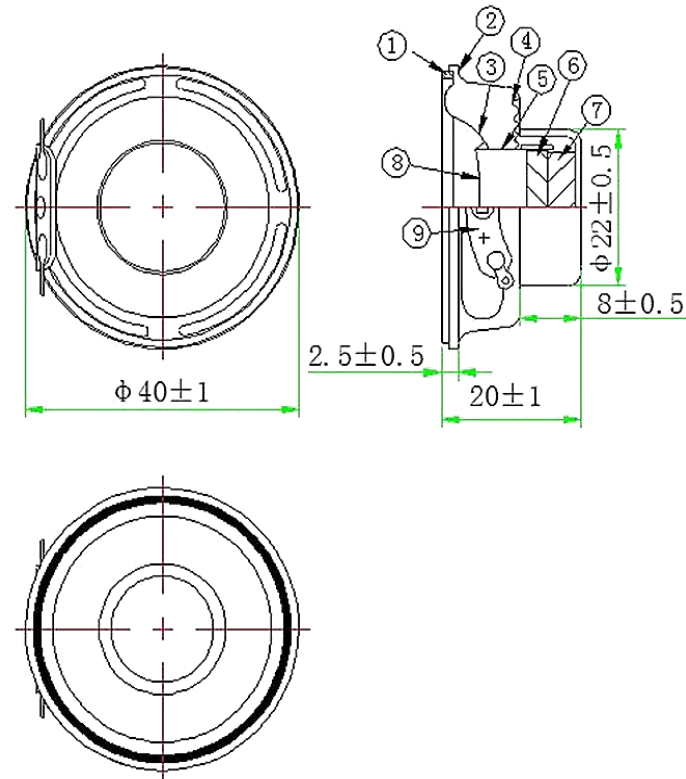


SPECIFICATION		
1	Model No.	YD40-24-4N12.5P-R
2	Dimension:	Φ40*21H mm
3	Cone Material:	PU+Paper
4	Edge:	Rubber
5	Nominal Power:	3W
6	Maximum Power:	5W
7	Impedance:	4±15%Ω
8	Voice coil:	Φ13.28mm PL+Cu
9	Fo:	350±20%Hz
10	Response:	Fo~20KHZ
11	S.P.L.:	80±3dB(at0.1W/0.1m 0.5, 0.8, 1.0, 2 KHZ)
12	Magnet Size:	Φ12.5*3.0mm
13	Net weight:	22g±8%

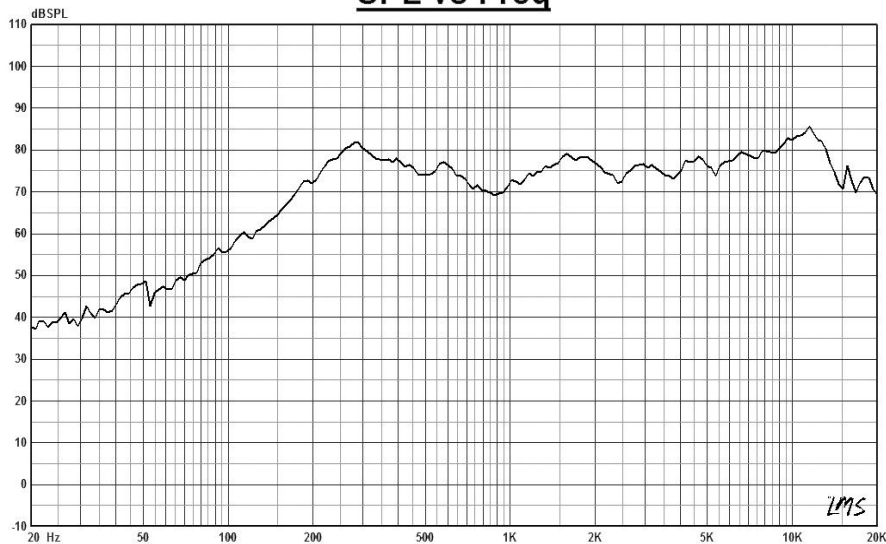
THIS DOCUMENT CONTAINS DATE
 PROPRIETARY TO PROJECTS CHANGZHOU ESUNTECH
 CO LTD. ANY USE OR REPRODUCTION,IN ANY FORM
 WITHOUT PRIOR WRITTEN PERMISSION OF
 PROJECTS CHANGZHOU ESUNTECH CO LTD
 IS PROHIBITED.
 ©2003,Project Changzhou Esuntech Co Ltd



REVISION HISTORY			
LTR	DESCRIPTION	DATE	APPROVED
-	RELEASED FROM ENGINEERING	9/23/2003	Y M
A			
B			
C			




SPL vs Freq



NOTES:
 1.ALL DIMENSIONS ARE IN MILLIMETERS
 2.SPECIFICATIONS SUBJECT TO CHANGE
 WITHOUT NOTICE

Package:44.5*26*27.2cm/600pcs/20kg

UNLESS OTHERWISE SPECIFIED. DIMENSIONS ARE IN MILLIMETERS TOLERANCES ARE +/-0.5 AND ANGLES ARE +/-3°	SIZE	Designed by	Date	Checked by	Date	Approved by	Date	Drawed date
		 EST Changzhou Esuntech Co.,Ltd http://www.esuntech.com.cn						
	A4							