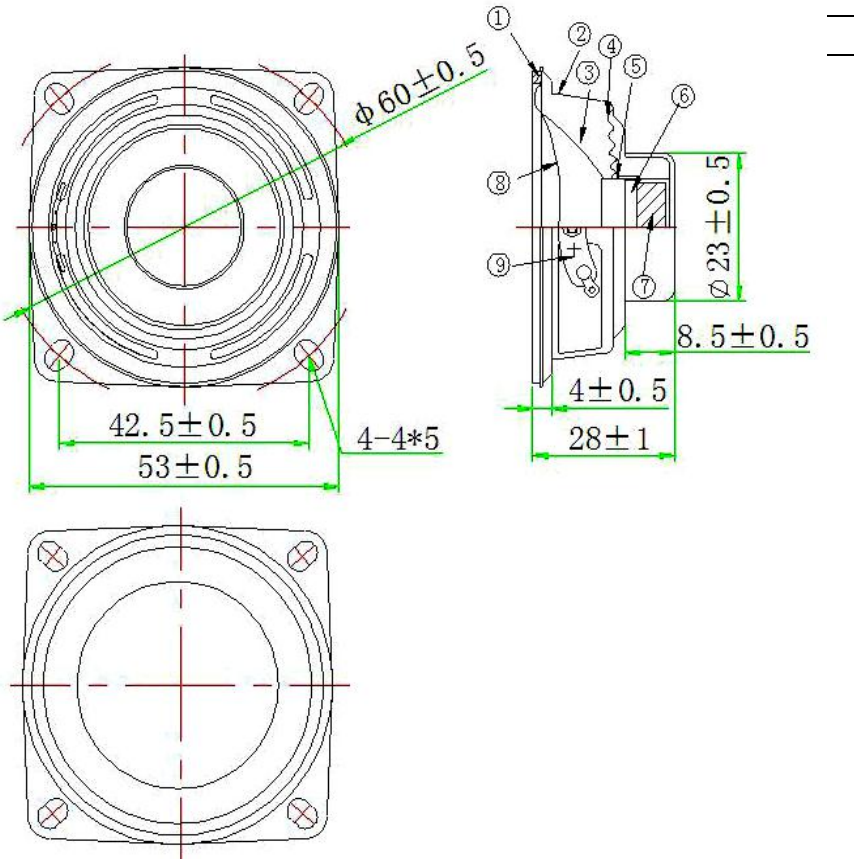


SPECIFICATION		
1	Model No.	YD53-03-8N15M-R
2	Nominal Power:	5.0w
3	Maximum Power:	6.0w
4	Impedance:	8Ω±15%Ω
5	S.P.L.:	85±3dB/0.1W/0.1M
6	Fo:	130±20% HZ
7	Response:	Fo-20kHz
8	Voice coil:	Φ16.28 mm
9	Magnet Size:	Φ15*5mm
10	Rated voltage:	6.32V
11	Weight:	35g


THIS DOCUMENT CONTAINS DATE
 PROPRIETARY TO PROJECTS CHANGZHOU ESUNTECH
 CO LTD. ANY USE OR REPRODUCTION, IN ANY FORM,
 WITHOUT PRIOR WRITTEN PERMISSION OF
 PROJECTS CHANGZHOU ESUNTECH CO LTD
 IS PROHIBITED.
 ©2003, Project Changzhou Esuntech Co Ltd



REVISION HISTORY			
LTR	DESCRIPTION	DATE	APPROVED
-	RELEASED FROM ENGINEERING	9/23/2003	Y M
A			
B			



- NOTES:
1. ALL DIMENSIONS ARE IN MILLIMETERS
 2. SPECIFICATIONS SUBJECT TO CHANGE WITHOUT NOTICE
 3. THE ACTUAL PRODUCT TERMINAL BOARD IS IN RED

UNLESS OTHERWISE SPECIFIED. DIMENSIONS ARE IN MILLIMETERS TOLERANCES ARE +/-0.5 AND ANGLES ARE +/-3°	SIZE	Designed by	Date	Checked by	Date	Approved	Date	Drawed date
	A4	 EST		YD53-03-8N15M-R				
	YD53-3-8N15M-R							